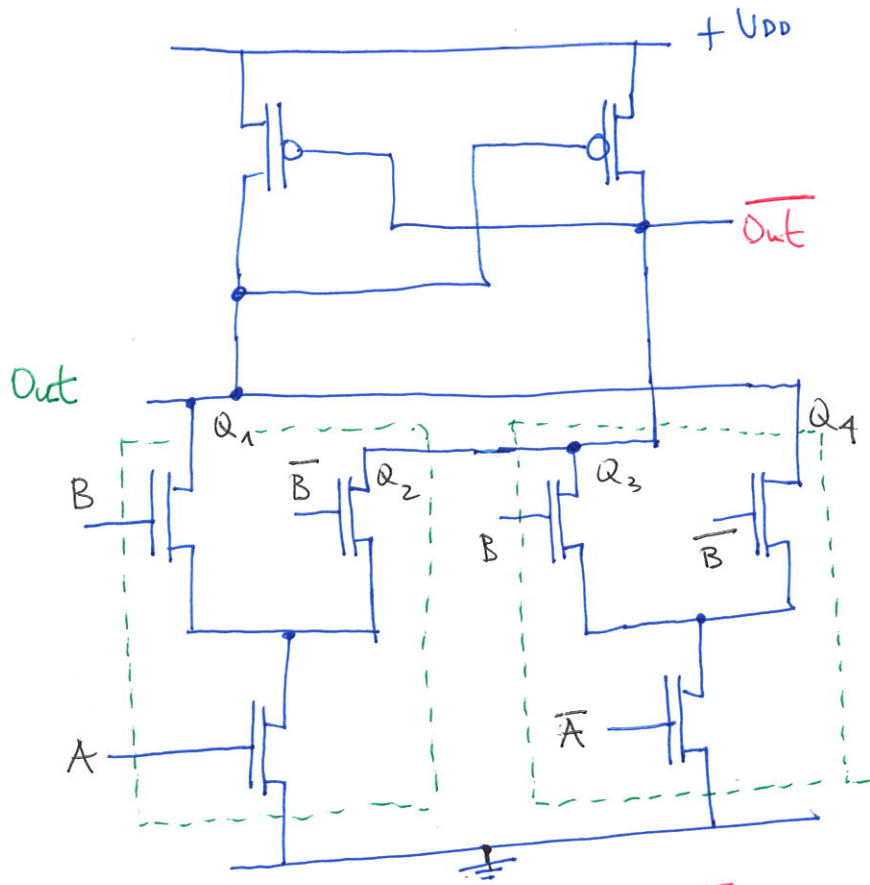


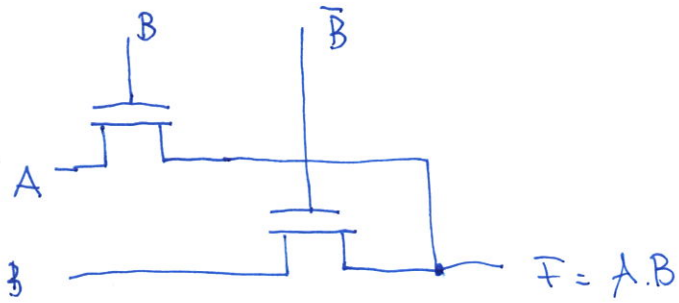
# PRIMER DCVSL



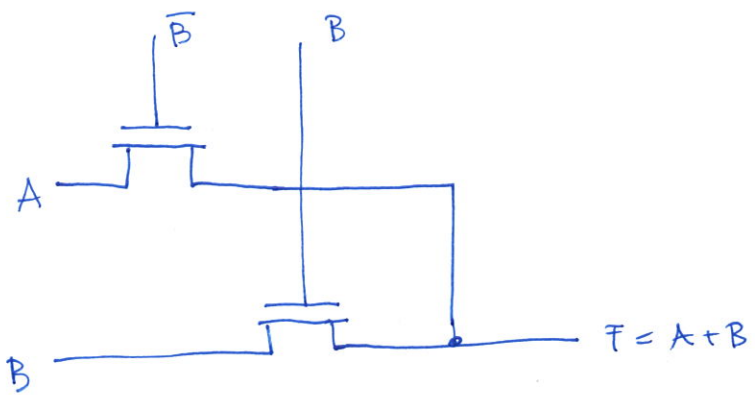
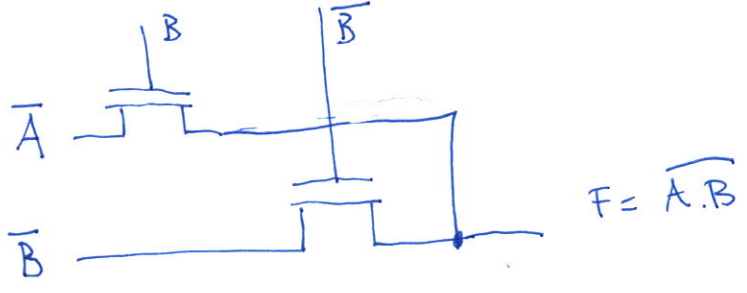
A	B	Q <sub>1</sub>	Q <sub>2</sub>	Q <sub>3</sub>	Q <sub>4</sub>	Out Q <sub>1</sub> Q <sub>4</sub>	Out Q <sub>2</sub> Q <sub>3</sub>
0	0	0	1	1	<u>0</u>	0	1
0	1	1	0	<u>0</u>	1	1	0
1	0	1	<u>0</u>	0	1	1	0
1	1	<u>0</u>	1	1	0	0	1

EX-OR

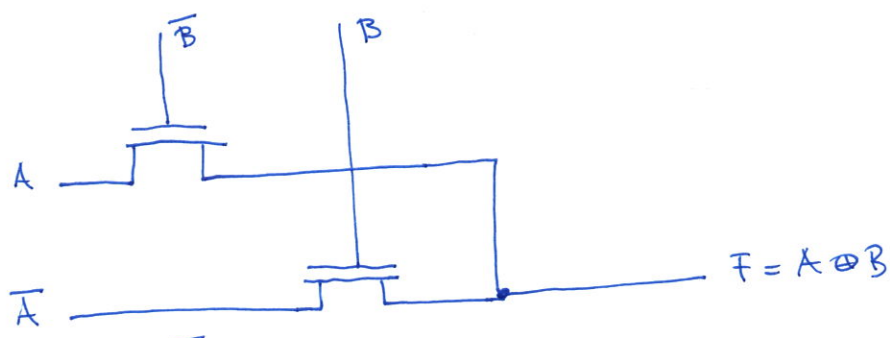
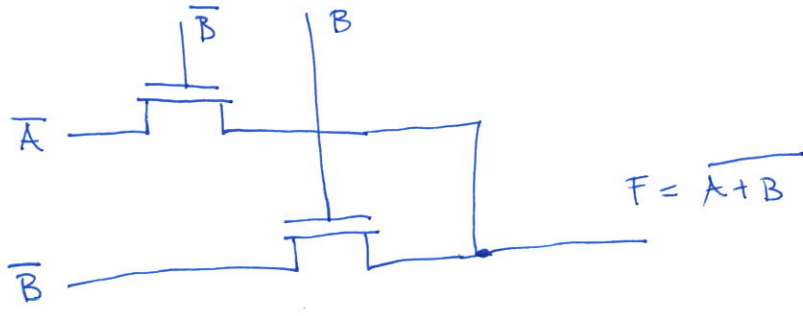
EX-NOR



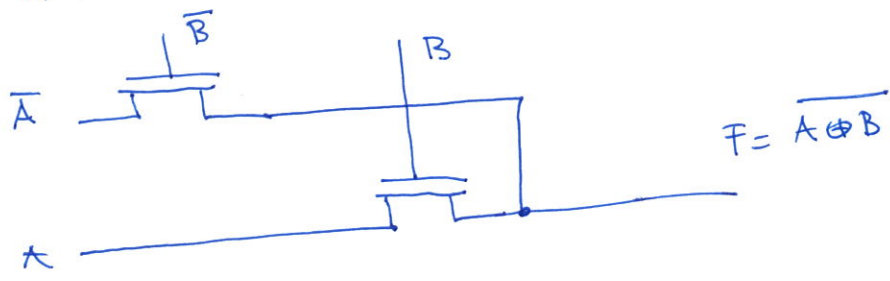
A B	$F = A.B$	$F = \overline{A.B}$
0 0	0	1
0 1	0	1
1 0	0	1
1 1	1	0



A B	$F = A+B$	$F = \overline{A+B}$
0 0	0	1
0 1	1	0
1 0	1	0
1 1	1	0

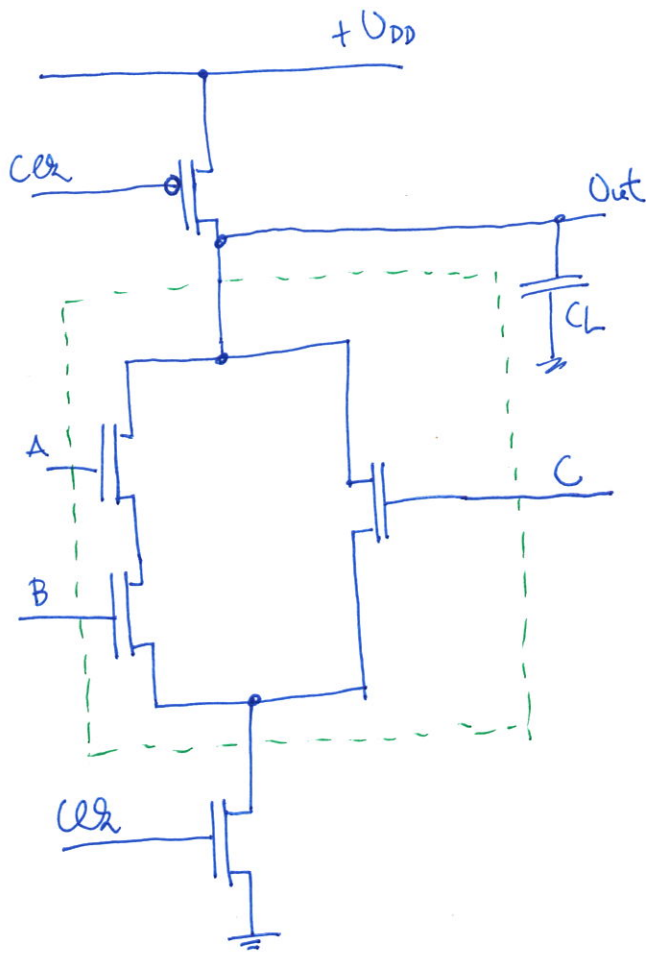


A B	$F = A \oplus B$	$F = \overline{A \oplus B}$
0 0	0	1
0 1	1	0
1 0	1	0
1 1	0	1



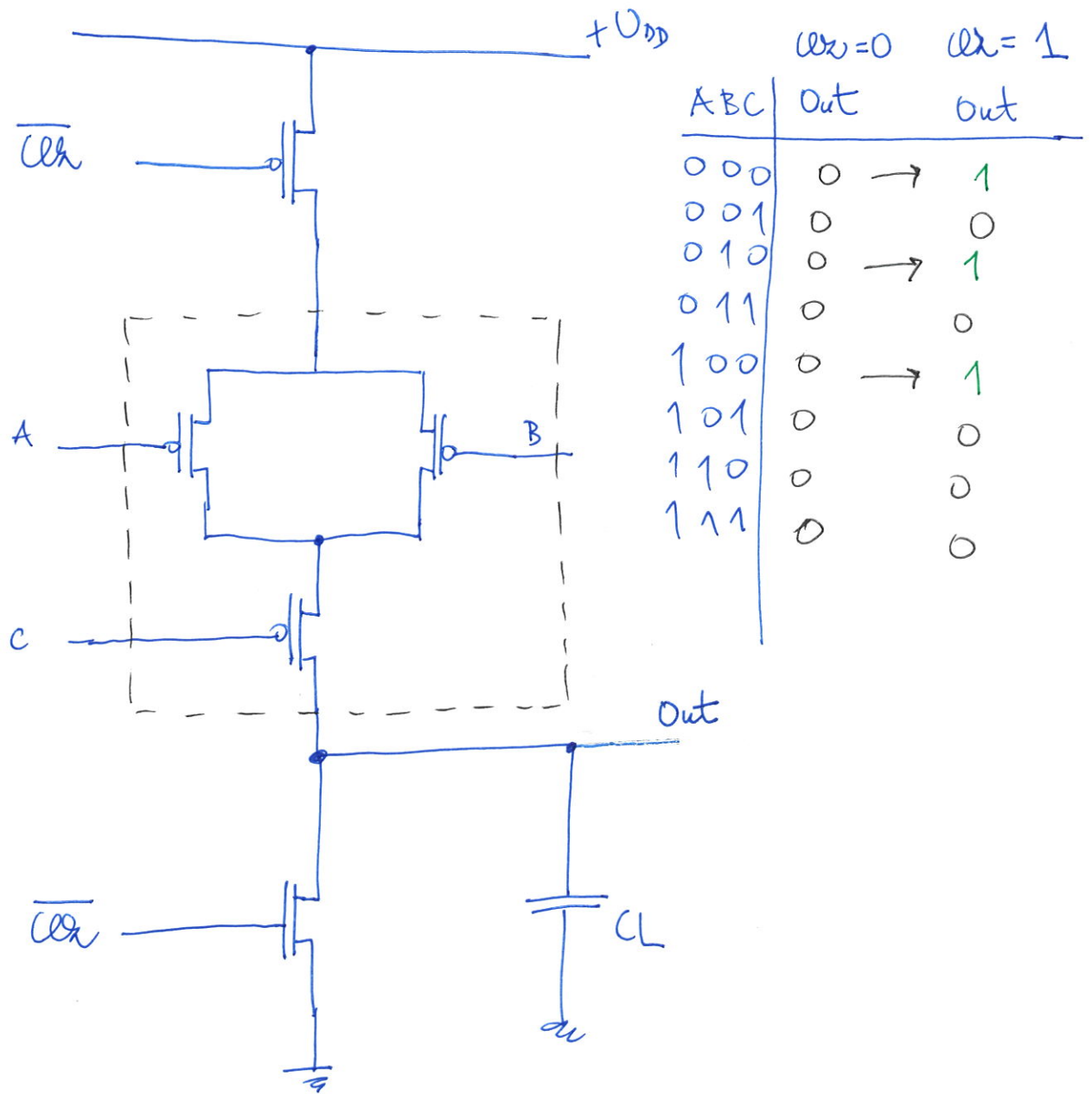
# DYNAMICKÝ CMOS (uMOS)

3



A	B	C	clk=0 → Out	clk=1 → Out
0	0	0	1	1
0	0	1	1	0
0	1	0	1	1
0	1	1	1	0
1	0	0	1	1
1	0	1	1	0
1	1	0	1	0
1	1	1	1	0

# DINAMICKI CMOS (pMos)



ABC	$clk=0$ Out	$clk=1$ Out
000	0	1
001	0	0
010	0	1
011	0	0
100	0	1
101	0	0
110	0	0
111	0	0